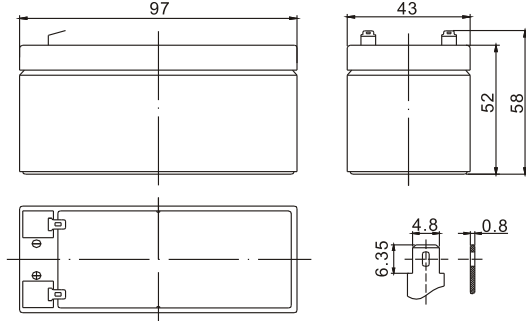


Standard Series

BS12-1.3 12V1.3Ah



Dimension(mm)

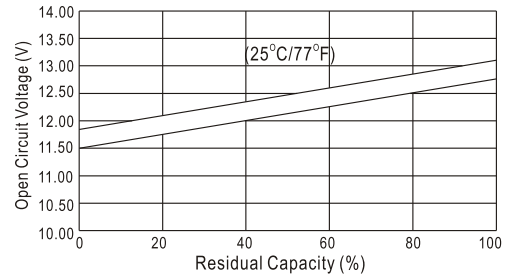


T1
Terminal

Specification

Nominal Voltage	12 V	
Capacity(20HR, 25°C)	1.3 Ah	
Dimension	Length	97mm (3.82inch)
	Width	43mm (1.69inch)
	Height	52mm (2.05inch)
	Total Height	58mm (2.28inch)
Approx. Weight	0.59kg (1.30lbs)	

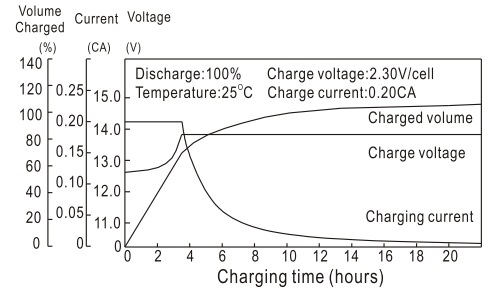
The Relationship for Open Circuit Voltage and Residual Capacity (25°C)



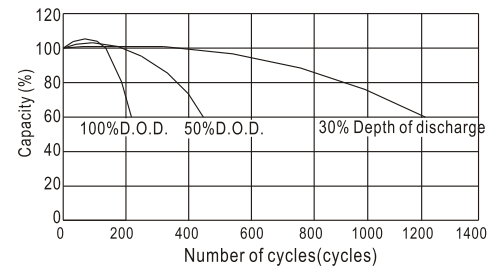
Characteristics

Capacity 20°C (68°F) To 1.70V/Cell	20 hour rate	1.2Ah
	10 hour rate	1.2Ah
	5 hour rate	1.1Ah
	1 hour rate	0.79Ah
	15 min rate	0.6Ah
Internal resistance(Fully charged, 25°C)	Approx. 95mΩ	
Capacity affected by temperature (20HR)	40°C	102%
	25°C	100%
	0°C	85%
	-15°C	65%
Self-discharge (25°C)	3 month	Remaining Capacity: 91%
	6 month	Remaining Capacity: 82%
	12 month	Remaining Capacity: 65%
Nominal operating temperature	25°C±3°C(77°F±5°F)	
Operating temperature range	-15°C~50°C(5°F~122°F)	
Float charging voltage(25°C)	13.60 to 13.80V	
Cyclic charging voltage(25°C)	14.50 to 14.90V	
Maximum charging current	0.36A	
Terminal material	Copper	
Maximum discharge current	18A(5 Sec.)	

Charging Characteristics(25°C)



Cycle Life(25°C)



Constant Current Discharge Characteristics (A, 25°C)

F.V/TIME	5min	10min	15min	30min	60min	3h	5h	10h	20h
9.60V	5.00	3.20	2.50	1.45	0.82	0.33	0.22	0.12	0.06
10.2V	4.75	3.04	2.40	1.39	0.79	0.33	0.22	0.12	0.06
10.8V	4.47	2.86	2.28	1.32	0.75	0.32	0.21	0.12	0.06

Constant Power Discharge Characteristics (Watt, 25°C)

	5min	10min	15min	30min	60min	3h	5h	10h	20h
55.8	36.1	28.5	16.6	9.50	3.92	2.63	1.44	0.72	
53.0	34.3	27.4	15.9	9.15	3.92	2.63	1.44	0.72	
49.9	32.3	26.0	15.1	8.69	3.80	2.51	1.44	0.72	