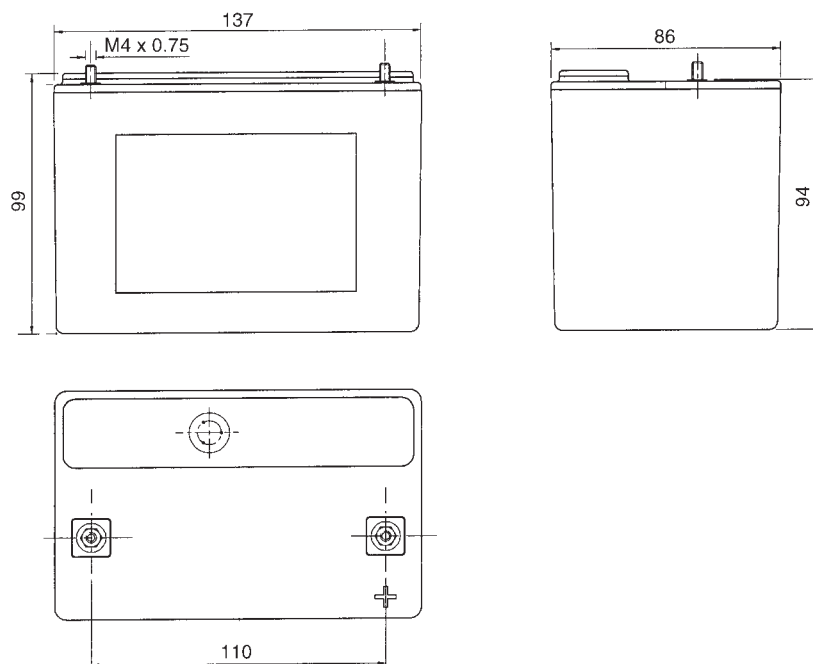


Motorcycle battery

RED SPARK 300 12V 7.3Ah

Sealed pure lead-tin battery.



Physical Specifications:

- **Maximum dimensions (mm):** length: 137
width: 86
height: 99
- **Approx. Weight (kg):** 2.7

Electrical Specifications:

- **Fully charged internal resistance at 25°C:** 27.1 mΩ
- **Nominal Voltage:** 12V
- **Nominal short circuit current (BS6290 method):** 455A

Design Characteristics:

- **Plate Design:** High purity lead-tin, with thin high plate surface area.
- **Battery Capability:** Can be mounted in any orientation. Excellent vibration resistance.
- **Service Life:** 3-5 years, with 2-year storage life at 25°C.

Performance Specifications:

- **Maximum delivered pulse current (at 0°C):** 300A for 5 seconds to 7V
- **Capacity (to 1.67Vpc):**

	Constant current	Constant power
20 hour rate:	8.4Ah	5W
10 hour rate:	7.5Ah	9W
5 hour rate:	6.85Ah	17W
1 hour rate:	5.55Ah	66W
15 minute rate:	4.25Ah	193W
5 minute rate:	3.10Ah	402W
2 minute rate:	2.12Ah	654W
- **Terminals:** M4 x 0.75
- **Temperature Range:**

Storage:	da -40°C a +60°C
Discharge:	da -40°C a +40°C
Charge:	da -40°C a +40°C