



# **Access Control Terminal**

Quick Start Guide

### **Quick Start Guide**

©2018 Hangzhou Hikvision Digital Technology Co., Ltd.

This quick start guide is applied for access control terminal.

Product Serials	Model	Product Name
DS-K1T802	DS-K1T802E	Access Control Terminal (EM Card)
	DS-K1T802M	Access Control Terminal (Mifare Card)

It includes instructions on how to use the Product. The software embodied in the Product is governed by the user license agreement covering that Product.

### **About this Manual**

This Manual is subject to domestic and international copyright protection. Hangzhou Hikvision Digital Technology Co., Ltd. (“Hikvision”) reserves all rights to this manual. This manual cannot be reproduced, changed, translated, or distributed, partially or wholly, by any means, without the prior written permission of Hikvision.

### **Trademarks**

**HIKVISION** and other Hikvision marks are the property of Hikvision and are registered trademarks or the subject of applications for the same by Hikvision and/or its affiliates. Other trademarks mentioned in this manual are the properties of their respective owners. No right of license is given to use such trademarks without express permission.

### **Disclaimer**

TO THE MAXIMUM EXTENT PERMITTED BY APPLICABLE LAW, HIKVISION MAKES NO WARRANTIES, EXPRESS OR IMPLIED,

---

INCLUDING WITHOUT LIMITATION THE IMPLIED WARRANTIES OF MERCHANTABILITY AND FITNESS FOR A PARTICULAR PURPOSE, REGARDING THIS MANUAL. HIKVISION DOES NOT WARRANT, GUARANTEE, OR MAKE ANY REPRESENTATIONS REGARDING THE USE OF THE MANUAL, OR THE CORRECTNESS, ACCURACY, OR RELIABILITY OF INFORMATION CONTAINED HEREIN. YOUR USE OF THIS MANUAL AND ANY RELIANCE ON THIS MANUAL SHALL BE WHOLLY AT YOUR OWN RISK AND RESPONSIBILITY.

TO THE MAXIMUM EXTENT PERMITTED BY APPLICABLE LAW, IN NO EVENT WILL HIKVISION, ITS DIRECTORS, OFFICERS, EMPLOYEES, OR AGENTS BE LIABLE TO YOU FOR ANY SPECIAL, CONSEQUENTIAL, INCIDENTAL, OR INDIRECT DAMAGES, INCLUDING, AMONG OTHERS, DAMAGES FOR LOSS OF BUSINESS PROFITS, BUSINESS INTERRUPTION, SECURITY BREACHES, OR LOSS OF DATA OR DOCUMENTATION, IN CONNECTION WITH THE USE OF OR RELIANCE ON THIS MANUAL, EVEN IF HIKVISION HAS BEEN ADVISED OF THE POSSIBILITY OF SUCH DAMAGES.

SOME JURISDICTIONS DO NOT ALLOW THE EXCLUSION OR LIMITATION OF LIABILITY OR CERTAIN DAMAGES, SO SOME OR ALL OF THE ABOVE EXCLUSIONS OR LIMITATIONS MAY NOT APPLY TO YOU.

### **Support**

Should you have any questions, please do not hesitate to contact your local dealer.

0200001080228

## Regulatory Information

### FCC Information

Please take attention that changes or modification not expressly approved by the party responsible for compliance could void the user's authority to operate the equipment.

**FCC compliance:** This equipment has been tested and found to comply with the limits for a Class B digital device, pursuant to part 15 of the FCC Rules. These limits are designed to provide reasonable protection against harmful interference in a residential installation. This equipment generates, uses and can radiate radio frequency energy and, if not installed and used in accordance with the instructions, may cause harmful interference to radio communications. However, there is no guarantee that interference will not occur in a particular installation. If this equipment does cause harmful interference to radio or television reception, which can be determined by turning the equipment off and on, the user is encouraged to try to correct the interference by one or more of the following measures:

- Reorient or relocate the receiving antenna.
- Increase the separation between the equipment and receiver.
- Connect the equipment into an outlet on a circuit different from that to which the receiver is connected.
- Consult the dealer or an experienced radio/TV technician for help.

This equipment should be installed and operated with a minimum distance 20cm between the radiator and your body.

### FCC Conditions

This device complies with part 15 of the FCC Rules. Operation is subject to the following two conditions:

1. This device may not cause harmful interference.
2. This device must accept any interference received, including interference that may cause undesired operation.

### EU Conformity Statement



This product and - if applicable - the supplied accessories too are marked with "CE" and comply

## Access Control Terminal ▪ Quick Start Guide

---

therefore with the applicable harmonized European standards listed under the EMC Directive 2014/30/EU, the RoHS Directive 2011/65/EU.



2012/19/EU (WEEE directive): Products marked with this symbol cannot be disposed of as unsorted municipal waste in the European Union. For proper recycling, return this product to your local supplier upon the purchase of equivalent new equipment, or dispose of it at designated collection points. For more information see: [www.recyclethis.info](http://www.recyclethis.info).



2006/66/EC (battery directive): This product contains a battery that cannot be disposed of as unsorted municipal waste in the European Union. See the product documentation for specific battery information. The battery is marked with this symbol, which may include lettering to indicate cadmium (Cd), lead (Pb), or mercury (Hg). For proper recycling, return the battery to your supplier or to a designated collection point. For more information see: [www.recyclethis.info](http://www.recyclethis.info).

### Industry Canada ICES-003 Compliance

This device meets the CAN ICES-3 (A)/NMB-3(A) standards requirements.

### Safety Instruction

These instructions are intended to ensure that user can use the product correctly to avoid danger or property loss.

The precaution measure is divided into **Warnings** and **Cautions**:



**Warnings:** Neglecting any of the warnings may cause serious injury or death.

**Cautions:** Neglecting any of the cautions may cause injury or equipment damage.

---

## Access Control Terminal • Quick Start Guide

---

	
<b>Warnings</b> Follow these safeguards to prevent serious injury or death.	<b>Cautions</b> Follow these precautions to prevent potential injury or material damage.



### Warnings

- All the electronic operation should be strictly compliance with the electrical safety regulations, fire prevention regulations and other related regulations in your local region.
- Please use the power adapter, which is provided by normal company. The power consumption cannot be less than the required value.
- Do not connect several devices to one power adapter as adapter overload may cause over-heat or fire hazard.
- Please make sure that the power has been disconnected before you wire, install or dismantle the device.
- When the product is installed on wall or ceiling, the device shall be firmly fixed.
- If smoke, odors or noise rise from the device, turn off the power at once and unplug the power cable, and then please contact the service center.
- If the product does not work properly, please contact your dealer or the nearest service center. Never attempt to disassemble the device yourself. (We shall not assume any responsibility for problems caused by unauthorized repair or maintenance.)



### Cautions

- Do not drop the device or subject it to physical shock, and do not expose it to high electromagnetism radiation. Avoid the

## Access Control Terminal ▪ Quick Start Guide

---

equipment installation on vibrations surface or places subject to shock (ignorance can cause equipment damage).

- Do not place the device in extremely hot (refer to the specification of the device for the detailed operating temperature), cold, dusty or damp locations, and do not expose it to high electromagnetic radiation. The appropriate operation temperature is 0°C to +45°C, and the storage temperature should be -10°C to +55°C.
- The device cover for indoor use shall be kept from rain and moisture.
- Exposing the equipment to direct sun light, low ventilation or heat source such as heater or radiator is forbidden (ignorance can cause fire danger).
- Do not aim the device at the sun or extra bright places. A blooming or smear may occur otherwise (which is not a malfunction however), and affecting the endurance of sensor at the same time.
- Please use the provided glove when open up the device cover, avoid direct contact with the device cover, because the acidic sweat of the fingers may erode the surface coating of the device cover.
- Please use a soft and dry cloth when clean inside and outside surfaces of the device cover, do not use alkaline detergents.
- Please keep all wrappers after unpack them for future use. In case of any failure occurred, you need to return the device to the factory with the original wrapper. Transportation without the original wrapper may result in damage on the device and lead to additional costs.
- Improper use or replacement of the battery may result in hazard of explosion. Replace with the same or equivalent type only. Dispose of used batteries according to the instructions provided by the battery manufacturer.

## Table of Contents

<b>1 Overview</b> .....	<b>1</b>
1.1 Introduction .....	1
1.2 Main Features .....	1
<b>2 Appearance</b> .....	<b>3</b>
2.1 Appearance of the Terminal .....	3
2.2 Description of Keypad Items .....	4
<b>3 Terminal Connection</b> .....	<b>4</b>
3.1 Terminal Description .....	4
3.2 External Device Wiring .....	5
<b>4 Installation</b> .....	<b>7</b>
4.1 Mounting with Gang Box .....	7
4.2 Mounting without Gang Box .....	8
<b>5 Activating the Access Control Terminal</b> .....	<b>10</b>
5.1 Activating via SADP Software .....	10
5.2 Activating via Client Software .....	12

# 1 Overview

---

## 1.1 Introduction

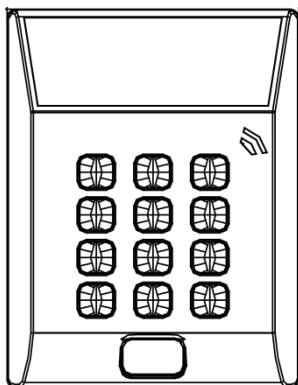


Figure 1-1 DS-K1T802 Series Standalone Access Control Terminal

DS-K1T802 is a series of standalone access control terminal designed with a LCD display screen. It supports TCP/IP network communication, offline records storage functions and so on.

## 1.2 Main Features

- Equipped with 32-bit high-speed processor
- Supports TCP/IP network communication, with self-adaptive network interface. The communication data is specially encrypted to relieve the concern of privacy leak
- Supports EM card and Mifare card reading
- Supports authentication methods of card, card and password, card or password
- Doorbell ring design

## Access Control Terminal ▪ Quick Start Guide

---

- Supports time synchronization via NTP, manual or automatic method
- Supports online upgrade, remote control of the doors, first card open function, first card authentication function, super card, super password function and device rebooting control
- The access controller can store 3 thousand legal cards and 10 thousand card swiping records
- Supports event card linkage
- Supports M1 card encryption function
- Supports IP address conflict detection
- Supports up to 500 groups of authentication password
- Unlocking overtime alarm, invalid card swiping over times alarm, blacklist alarm, and duress card/code alarm
- Supports various card types as normal/ disabled/ blacklist/ patrol/ guest/ duress/ super card, etc.
- Supports multiple events uploading methods: channel, and listening; The device can upload one integrated event and four real-time events via channel uploading method
- Supports getting device events via SDK
- Data can be permanently saved after power-off
- Accurate data and time display provided by built-in electronic clock and watchdog program to ensure the basic function of the terminal
- Remotely device rebooting control
- Supports alarm of offline event exceeding 90%

## 2 Appearance

### 2.1 Appearance of the Terminal

Please refer to the following content for detailed information of the terminal.

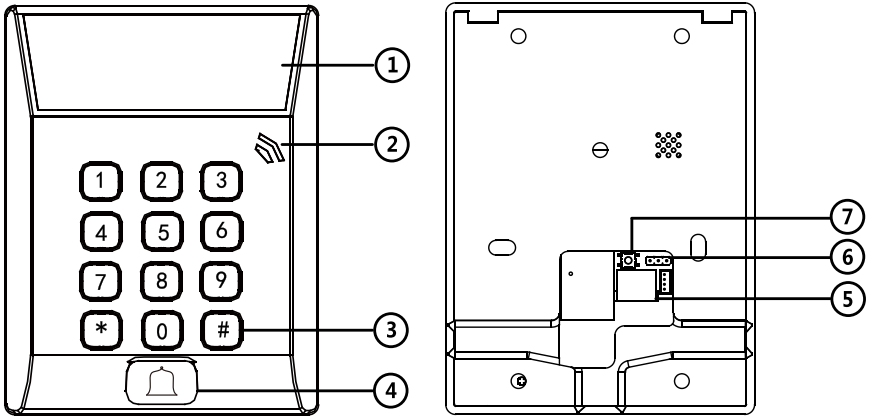


Figure 2-1 Appearance of Access Control Terminal

Table 2-1 Description of Access Control Terminal

No.	Name	Description	
1	LCD Display Screen	First Line: display date Second Line: display time Third Line: display authentication information or swiping status	
2	Power Indicator	Slow Flashing Green	Card reader is working properly.
		Solid Green for a time period	The operation of pressing keys or swiping card is valid.

## Access Control Terminal • Quick Start Guide

		Solid Red for a time period	The operation of pressing keys or swiping card is invalid.
3	Keypad	Numeric key 0 to 9, Clearing key *, and Confirming key #	
4	Door Bell	Door Bell Ring	
5	Wiring Terminals	Wire the device with power supply, doorbell, and door lock.	
6	Jumper	Control the status of the lock relay.	
7	Initialization Button	When rebooting the device, hold the button for about 8s to enter the initialization mode. When initializing, the device buzzer will beep for 8s.	

## 2.2 Description of Keypad Items

Table 2-2 Description of Keys

No.	Description
0 to 9	Numeric Keys: Enter number in the textbox.
2 and 8	Direction Keys: Select icons in the menu.
*	Exiting Key: Click the key to exit the menu.
#	Confirming Key: Click the key to confirm operations.

## 3 Terminal Connection

---

### 3.1 Terminal Description

The following table shows the terminals description:

Table 3-1 Terminal Description

Description		Color
Power Input	12V DC	Red
	GND	Black
Bell	Bell+	Orange
	Bell-	Yellow
Door Lock	BUTTON_IN	Purple
	DOOR_COM	Green
	DOOR_NO/NC	Blue
	SENSOR_IN	White
	GND	Black
	12V_LOCK	Brown

### 3.2 External Device Wiring

#### Power Supply Wiring

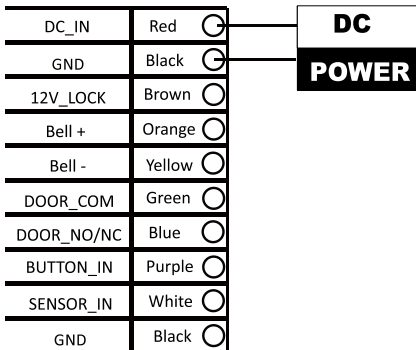


Figure 3-1 Power Supply

#### Doorbell Wiring

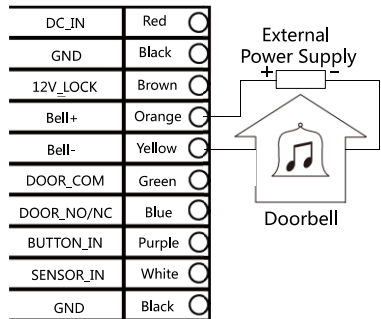


Figure 3-2 Doorbell Wiring

# Access Control Terminal • Quick Start Guide

## Connection Diagram

## Diagram

### Door Button Wiring

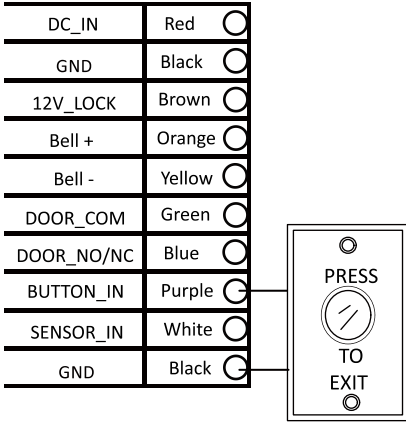


Figure 3-3 Door Button Wiring Diagram

### Door Lock Wiring

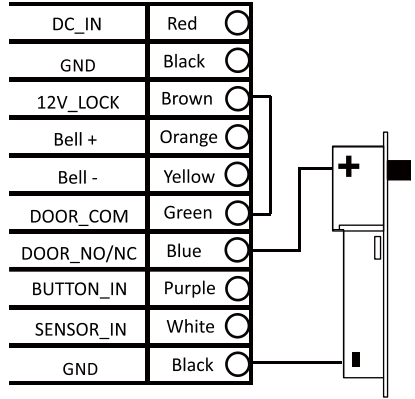


Figure 3-4 Door Lock Wiring Diagram

### Door Magnetic Wiring

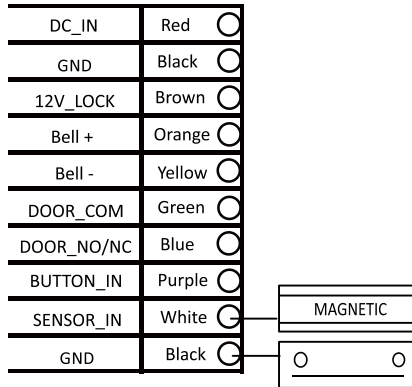


Figure 3-5 Door Magnetic Wiring Diagram

## 4 Installation

---

### *Before you start*

- Please make sure that the device in the package is in good condition and all the assembly parts are included.
- Make sure that all the related equipment is power-off during the installation.
- Check the specification of the products for the installation environment.
- Check whether the power supply is matched with your AC outlet to avoid damage.
- If the product does not function properly, please contact your dealer or the nearest service center. Do not disassemble the camera for repair or maintenance by yourself.
- Please make sure the wall is strong enough to withstand three times the weight of the camera and the mounting.

### 4.1 Mounting with Gang Box

#### *Steps:*

1. Route the cables through the cable hole of the mounting base.
2. Align the screw holes on mounting base with the screw holes on gang box.
3. Fix the mounting base on the gang box with inserting two KA4\*22-SUS screws (supplied) into the two screw holes.

## Access Control Terminal • Quick Start Guide

---

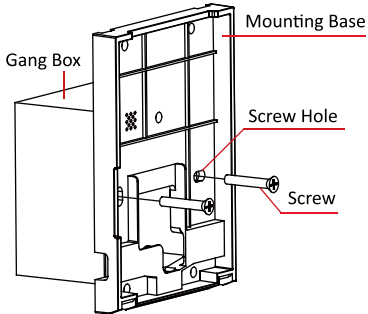


Figure 4-1 Install the Mounting Base

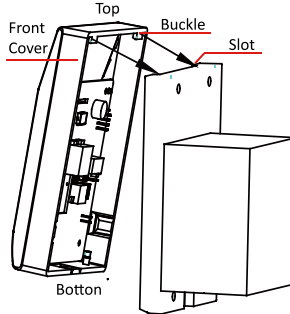


Figure 4-2 Attach the Front Cover

4. Connect the corresponded cables.
5. Align the buckle of the front cover with the slot of the mounting base, and hang the front cover onto the mounting base. Make sure the buckle is embedded into the slot.
6. Secure the front cover with inserting and tightening two screws on the bottom of device.

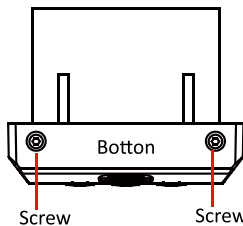


Figure 4-3 Secure the Front Cover

### 4.2 Mounting without Gang Box

#### Steps:

1. Drill 4 screw holes in the wall according to the holes of the mounting base, and then insert expansion screws sockets (not supplied) into the holes.
2. Route the cables through the cable hole of the mounting base.

## Access Control Terminal ▪ Quick Start Guide

---

3. Align the screw holes on the base with the screw sockets on the wall.
4. Attach the mounting base on the wall with Inserting 4 KA4\*22-SUS screws (supplied) into the 4 screw sockets.

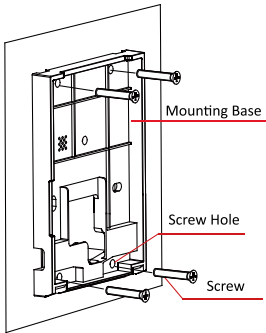


Figure 4-4 Install the Mounting Base

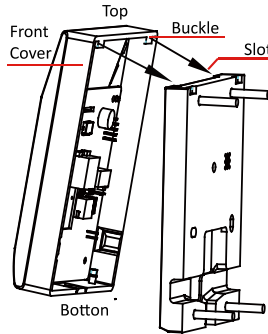


Figure 4-5 Attach the Front Cover

5. Connect the corresponded cables.
6. Align the buckle of the front cover with the slot of the mounting base, and hang the front cover onto the mounting base. Make sure the buckle is embedded into the slot.
7. Secure the front cover with inserting and tightening two screws on the bottom of device.

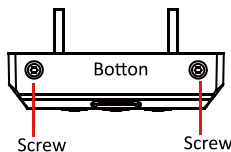


Figure 4-6 Secure the Front Cover

## 5 Activating the Access Control Terminal

---

### ***Purpose:***

You are required to activate the terminal first before using it. Activation via SADP, and Activation via client software are supported.

The default values of the control terminal are as follows.

- The default IP address: 192.0.0.64.
- The default port No.: 8000.
- The default user name: admin.

### **5.1 Activating via SADP Software**

SADP software is used for detecting the online device, activating the device, and resetting the password.

Get the SADP software from the supplied disk or the official website, and install the SADP according to the prompts. Follow the steps to activate the control panel.

### ***Steps:***

1. Run the SADP software to search the online devices.
2. Check the device status from the device list, and select an inactive device.

## Access Control Terminal ▪ Quick Start Guide

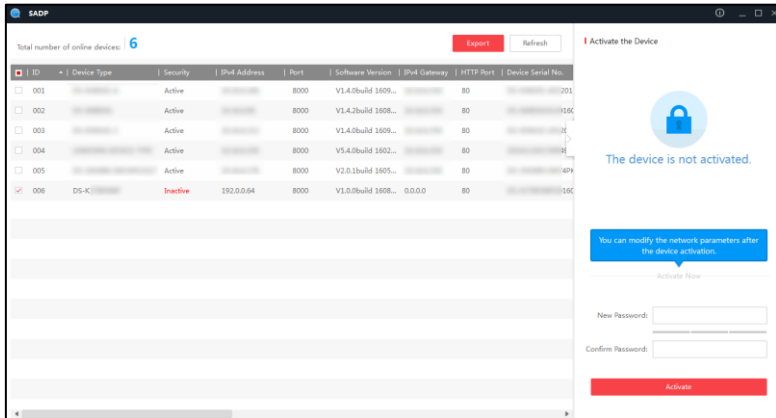


Figure 5-1 SADP Interface

3. Create a password and input the password in the password field, and confirm the password.



**STRONG PASSWORD RECOMMENDED**— *We highly recommend you create a strong password of your own choosing (using a minimum of 8 characters, including upper case letters, lower case letters, numbers, and special characters) in order to increase the security of your product. And we recommend you reset your password regularly, especially in the high security system, resetting the password monthly or weekly can better protect your product.*

4. Click **Activate** to activate the device.
5. Check the activated device. You can change the device IP address to the same network segment with your computer by either modifying the IP address manually or checking the checkbox of Enable DHCP.

Modify Network Parameters

Enable DHCP

Device Serial No.:

IP Address:

Port:

Subnet Mask:

Gateway:

IPv6 Address:

IPv6 Gateway:

IPv6 Prefix Length:

HTTP Port:

Security Verification

Admin Password:

**Modify**

[Forgot Password](#)

Figure 5-2 Modify Network Parameters Interface

6. Input the password and click the **Modify** button to activate your IP address modification.

## 5.2 Activating via Client Software

The client software is versatile video management software for multiple kinds of devices.

Get the client software from the supplied disk or the official website, and install the software according to the prompts. Follow the steps to activate the control panel.

### **Steps:**

## Access Control Terminal ▪ Quick Start Guide

1. Run the client software and the control panel of the software pops up, as shown in the figure below.

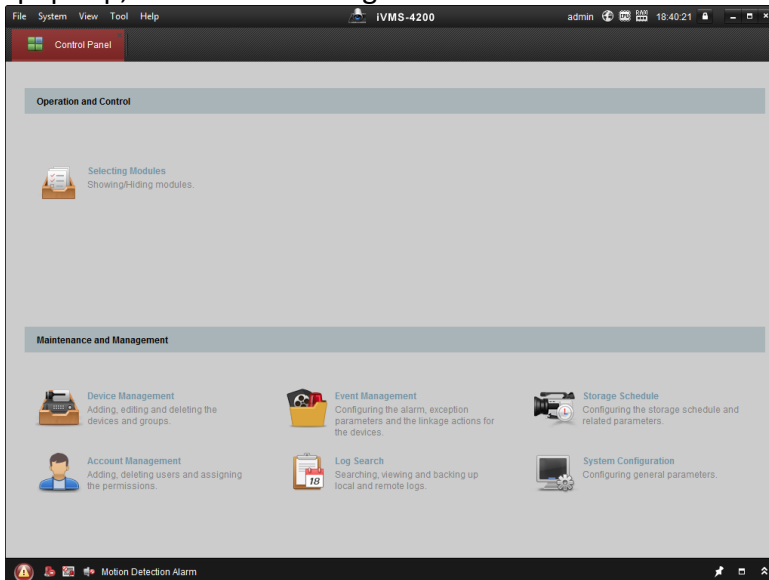


Figure 5-3 Control Panel Interface

2. Click the **Device Management** to enter the Device Management interface.
3. Check the device status from the device list, and select an inactive device.

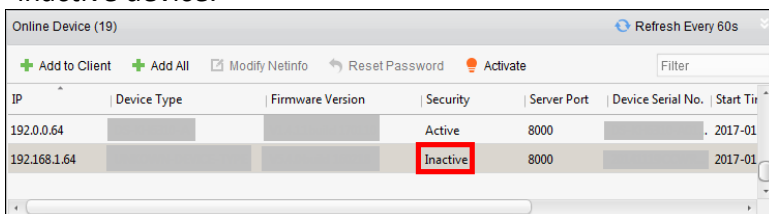


Figure 5-4 List Selecting Interface

4. Click the **Activate** button to pop up the Activation interface.
5. In the pop-up window, create a password in the password field, and confirm the password.

## Access Control Terminal • Quick Start Guide



**STRONG PASSWORD RECOMMENDED**– *We highly recommend you create a strong password of your own choosing (using a minimum of 8 characters, including upper case letters, lower case letters, numbers, and special characters) in order to increase the security of your product. And we recommend you reset your password regularly, especially in the high security system, resetting the password monthly or weekly can better protect your product.*

Activate Device

Password:

The password ( 8 to 16 characters)  
should contain two or more of the  
following character types: numeric, low...

Confirm Pas...

OK Cancel

Figure 5-5 Password Interface

6. Click **OK** button to start activation.
7. Click the **Modify Netinfor** button to pop up the Network Parameter Modification interface.
8. Change the device IP address to the same network segment with your computer by either modifying the IP address manually.
9. Input the password and click the **OK** button to save the settings.



UD05637B-B