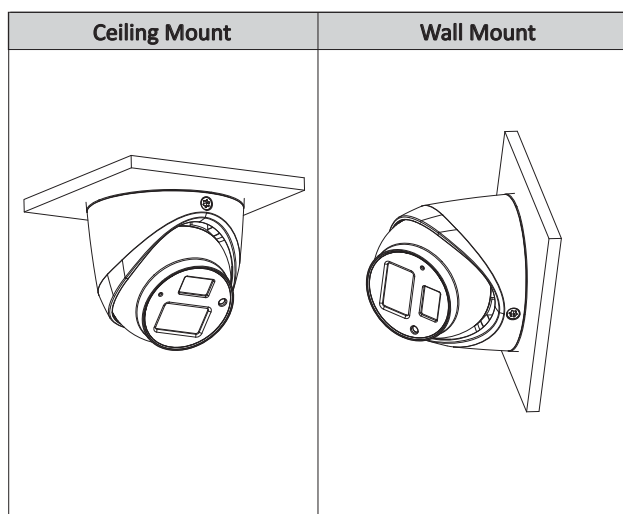
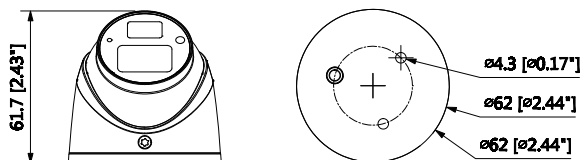




Telecamera HDCVI minidome da 2 Megapixel

Telecamera Mini-Dome HDCVI da esterno/interno IP67 con sensore progressivo 1/2.9" CMOS da 2Mp, risoluzione 1.080p con 25Fps, ICR meccanico, ottica 3.6mm, luminosità 0.02Lux f2.6 (0 con LED ON), led IR portata fino a 20mt, 2-3D, WDR, microfono incorporato, 1 uscita video (HDCVI o CVBS), OSD su cavo coassiale, case in alluminio, alimentazione 12Vdc 2,9W

PIXVIDEO



CARATTERISTICHE TECNICHE

| | | |
|-------------------------------------------------------------------------------------------------------------------------------------------------------------------------------------------------------------------------------------------------------------------------------------------------------------------------------------|-----------------------------------------------------------------------------------------------------------------------------------|--------------------------------------|
| Camera | HDF202MI | |
| Image Sensor | 1/2.9" CMOS | |
| Effective Pixels | 1920(H)×1080(V), 2MP | |
| Scanning System | Progressive | |
| Electronic Shutter Speed | PAL: 1/25~1/100000s NTSC: 1/30~1/100000s | |
| Minimum Illumination | 0.02Lux/F2.0, 30IRE, 0Lux IR on | |
| S/N Ratio | More than 65dB | |
| IR Distance | Up to 20m (66feet) | |
| IR On/Off Control | Auto / Manual | |
| IR LEDs | 1 | |
| Lens | | |
| Lens Type | Fixed lens / Fixed iris | |
| Mount Type | Board-in | |
| Focal Length | 3.6mm (6mm Optional) | |
| Max Aperture | F2.0 | |
| Angle of View | H: 80.8° (51°) | |
| Focus Control | N/A | |
| Close Focus Distance | 800mm (1900mm) 31.5" (74.8") | |
| DORI Distance | | |
| Note: The DORI distance is a "general proximity" of distance which makes it easy to pinpoint the right camera for your needs. The DORI distance is calculated based on sensor specification and lab test result according to EN 62676-4 which defines the criteria for Detect, Observe, Recognize and Identify respectively. | | |
| | DORI Definition | Distance |
| Detect | 25px/m (8px/ft) | 3.6mm: 57m(187ft) 6mm: 86m(281ft) |
| Observe | 63px/m (19px/ft) | 3.6mm: 23m(75ft) 6mm: 34m(113ft) |
| Recognize | 125px/m (38px/ft) | 3.6mm: 11m(37ft) 6mm: 17m(56ft) |
| Identify | 250ppm (76px/ft) | 3.6mm: 6m(19ft) 6mm: 9m(28ft) |
| Pan / Tilt / Rotation | | |
| Pan/Tilt/Rotation | Pan: 0° ~ 360° Tilt: 0° ~ 80° Rotation: 0° ~ 360° | |
| Video | | |
| Resolution | 1080P (1920×1080) | |
| Frame Rate | 25/30fps@1080P, 25/30/50/60fps@720P | |
| Video Output | 1-channel BNC high definition video output / CVBS video | |
| Day/Night | Auto (ICR) / Manual | |
| OSD Menu | Multi-language | |
| BLC Mode | BLC / HLC / DWDR | |
| WDR | DWDR | |
| Gain Control | AGC | |
| Noise Reduction | 2D | |
| White Balance | Auto / Manual | |
| Smart IR | Auto / Manual | |
| Certifications | | |
| Certifications | CE (EN55032, EN55024, EN50130-4) FCC (CFR 47 FCC Part 15 subpartB, ANSI C63.4-2014) UL (UL60950-1+CAN/CSA C22.2 No.60950-1) | |
| Interface | | |
| Audio Interface | Built-in Mic | |
| Electrical | | |
| Power Supply | 12V DC ±25% | |
| Power Consumption | Max 2.9W (12V DC, IR on) | |
| Environmental | | |
| Operating Conditions | -40°C ~ +60°C (-40°F ~ +140°F) / Less than 90% RH * Start up should be done at above -40°C (-40°F) | |
| Storage Conditions | -40°C ~ +60°C (-40°F ~ +140°F) / Less than 90% RH | |
| Ingress Protection & Vandal Resistance | IP67 | |
| Construction | | |
| Casing | Aluminium | |
| Dimensions | Φ62mm×62mm (Φ2.44"×2.44") | |
| Net Weight | 0.16kg (0.35lb) | |
| Gross Weight | 0.23kg (0.51lb) | |