

PIX-VEM031A

Posto esterno modulare IP a 2 fili per appartamenti



- Pannello frontale in alluminio anodizzato
- Telecamera CMOS HD a colori da 2MP con bassa illuminazione e angolo di visione di 168,6°
- Funzione videocitofonica
- Fornisce alimentazione a 12 VDC, 600 mA
- App per smartphone: consente di parlare con il visitatore o aprire la porta da remoto tramite il telefono
- Certificazioni IK07 e IP65 (è necessario applicare sigillante siliconico sulla scocca, consultare la guida rapida)
- Supporta installazione da superficie e da incasso
- Supporta H.265 e H.264
- Alimentazione PoE standard (se il dispositivo VTO con uscita a 12 V deve alimentare un carico, deve essere collegato a uno switch PSE conforme allo standard 802.3.at)

Specifiche tecniche

System

| | |
|-------------------|--|
| Main Processor | Embedded Processor |
| Operating System | Embedded Linux Operation System |
| Button Type | Mechanical |
| Number of Buttons | 1 |
| Interoperability | CGI; ONVIF |
| Network Protocol | UDP; TCP; IPv4; DNS; RTSP; UPnP; SIP; P2P; RTP |

Basic

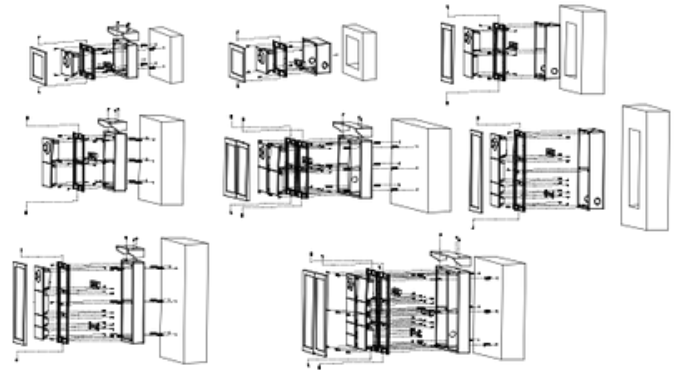
| | |
|--------------------|--|
| Camera | 1/2.9" 2 MP CMOS |
| Field of View | H: 168.6°; V: 87.1°; D: 176.7° |
| WDR | 120 dB |
| Noise Reduction | 3D NR |
| Video Compression | H.265; H.264 |
| Video Resolution | Main stream:720p; WVGA; D1; CIF Sub stream:1080p; WVGA; D1; QVGA; CIF |
| Video Frame Rate | 25 fps |
| Video Bit Rate | 256 Kbps to 8 Mbps |
| Light Compensation | Auto IR |
| Day/Night | Auto(ICR)/Color/B/W; Color/B/W |
| Audio Compression | G.711a; G.711u; PCM |
| Audio Input | 1 channel |
| Audio Output | Built-in speaker |
| Audio Mode | Two-way audio |



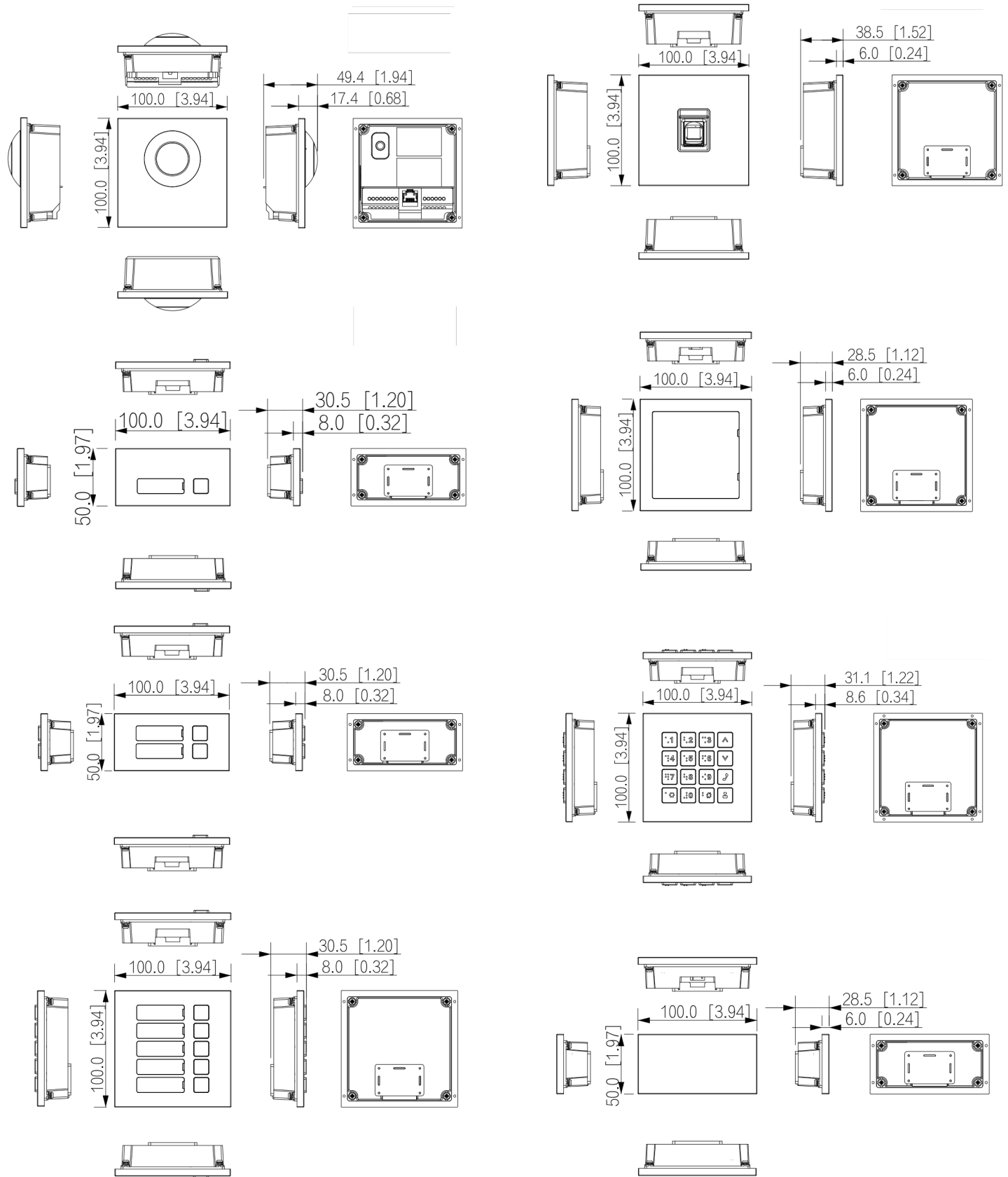
| | |
|-----------------------|---|
| Audio Enhancement | Echo suppression/digital noise reduction |
| Audio Bit Rate | 16 kHz, 16 bits |
| Function | |
| Communication Mode | Digital 2-wire |
| Unlock Mode | Remote |
| Leave Videos | Yes (SD card is inserted in the indoor monitor or door station) |
| Storage | Supports Micro SD card (up to 256 GB) |
| Web Configuration | Yes |
| Per formance | |
| Casing Material | Aluminum |
| Capacity | |
| Card Capacity | 3000 |
| Fingerprint Capacity | 3000 |
| Port | |
| RS-485 | 1 |
| Alarm Output | 1 |
| Power Output | 1 port, 12 V/600 mA |
| Exit Button | 1 |
| Door Status Detection | 1 |
| Lock Control | 1 |

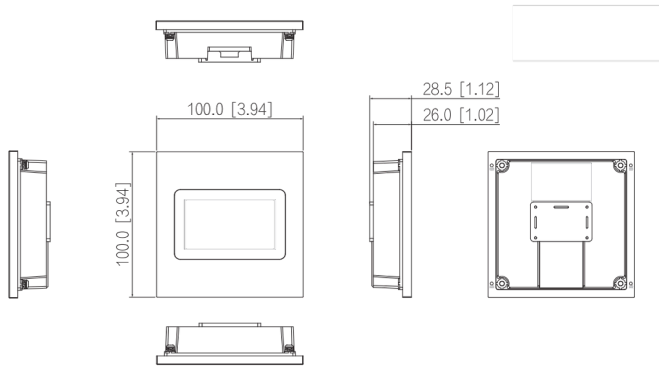
| | |
|-----------------------|---|
| Network Port | 1 × RJ-45 port, 10/100 Mbps network port |
| Alarm | |
| Tamper Alarm | Yes |
| General | |
| Appearance Color | Silver |
| Power Supply | Dahua 2-wire switch (max. power supply distance is 50 m) 48 VDC, 1 A; PoE (802.3af/at) |
| Power Adapter | Optional |
| Installation | Flush Mount; Surface Mount |
| Certifications | CE |
| Accessory | Surface mount box (optional); flush mount box (optional); rain cover (optional) |
| Product Dimensions | 100.0 mm × 100.0 mm × 49.4 mm (3.94" × 3.94" × 1.94") |
| Protection | IK07; IP65 |
| Operating Temperature | -30°C to +60°C (-22°F to +140°F) |
| Operating Humidity | 10%–90% (RH), non-condensing |
| Operating Environment | Outdoor |
| Operating Altitude | 0 m–3000 m (0 ft–9842.52 ft) |
| Power Consumption | ≤4 W (standby), ≤5 W (working) |
| Gross Weight | 0.43 kg (0.95 lb) |
| Storage Temperature | 0 °C to +40 °C (+32 °F to +104 °F) |
| Storage Humidity | 30%–75% (RH), non-condensing |

Installazione



Dimensioni (mm[inch])





Applicazioni

