



PATENTED

Innovative and stylish housing, entirely build in technopolymer, designed to simplify installation and servicing, VERSO ensures total protection against all environmental conditions.

Thanks to its side opening, the accessibility to the camera, lens and all its connections is made far easier. Entirely manufactured from the newest, most resistant, technopolymer, VERSO guarantees elevated impact resistance, high weather protection to external agents and UV rays.

Its weatherproof features are ensured by EPDM-rubber gaskets and 2 PG9 + 1 PG11 cable glands with their specific gaskets.

VERSO offers the possibility of various different mountings, wall mounting bracket, feed through bracket and Pan & Tilt head, including the ability to house most combination of cameras and lenses.

A wide range of accessories is available, including sunshield, heater kit, blower kit and camera power supply, heater fan-assistant and alarm tamper switch. These accessories are supplied as a simple plug-in kit, for an easy installation.

- Indoor/outdoor
- Entirely made of technopolymer
- Side opening, easy camera service
- Weatherproof standard IP66 (with cable glands).
- Different mounting options: standard bracket or cable management bracket or P&T



VERSO + WBJ



VERSO + WBOV

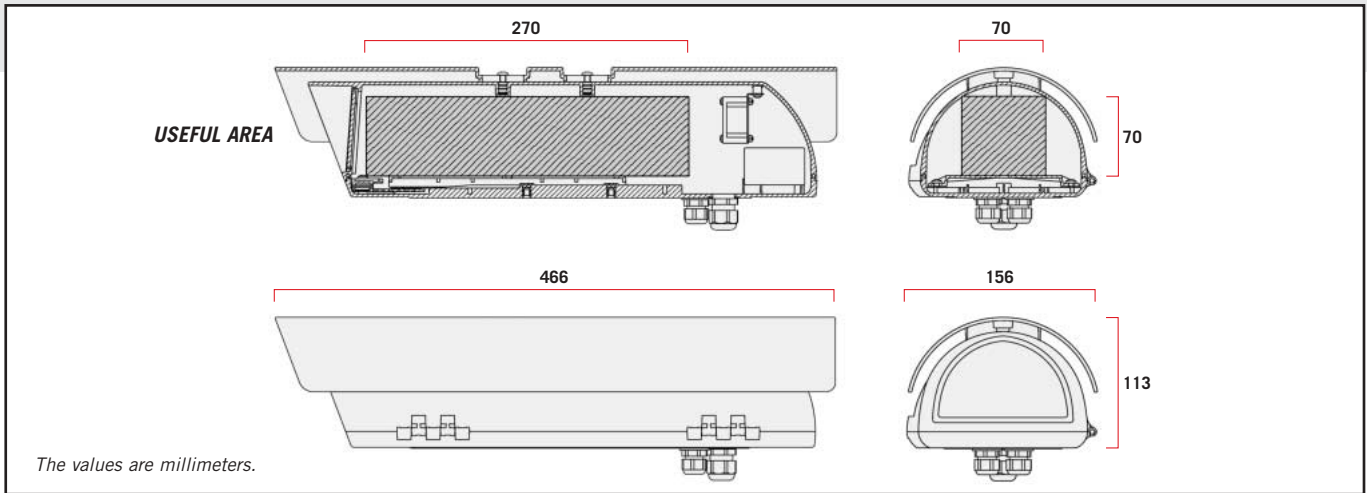
	MODELS			
	Sunshield	Heater 110VAC-230VAC	Heater 12VDC-24VAC	Heater fan-assisted 24VAC
HPV42D0				
HPV42K0	•			
HPV42K1	•	•		
HPV42K2	•		•	
HPV42K2A015	•			•



1

VERSO

THE NEW LANDMARK FOR CAMERA HOUSINGS



TECHNICAL DATA

GENERAL:

- Entirely made of technopolymer (polycarbonate)
- RAL 9002 Colour
- Supplied with: instruction manual, accessories for camera/lens installation

MECHANICAL:

- 3 removable cable glands: 2 x P9 and 1 x PG11
- Internal useful dimensions (BxH): 70x70 mm (2.7x2.7 in)
- Useful Length with accessories 270 mm (10.6 in)
- Polycarbonate window (BxH): 105x64 mm (4.1x2.5 in)

ELECTRICAL:

Heater (ton 15°C+/-3°C toff 22°C +/-3°C) (59°F+/-37°F toff 71°F +/-37°F)

OHPVH2 12VDC-24VAC absorption 20W

OHPVH1 110VAC-230VAC absorption 40W

Blower with thermostat and air filter (ton 35°C+/-3° toff 22°C +/-3°C) (95°F+/-37°F toff 68°F +/-37°F)

OHPVCF1 12VDC input absorption 2,5W max

OHPVCF2 24VAC input absorption 2,5W max

OHPVCF3 110VAC-230VAC power supply input absorption 2,5W max

Camera power supply

OHPVPS1 wide range input 100-240VAC output 12VDC, 1A max

OHPVPS2 input 230VAC output 24VAC, 400mA max

ENVIRONMENT:

- Indoor-Outdoor
- Operating temperature.
VERSO with heater: -20°C up to + 50°C (-4°+122°F)

CERTIFICATIONS:

- CE according to EN 60950
- IP66 (with cable glands)
- V2 compliance according to UL94
- Impact resistance IK10 according EN 50102 standard
- Very good resistance to basics, alcohols, gasses and hydro-carbons
- Good resistance to organic and inorganic acids and oils
- Low resistance to solvents

ACCESSORIES:

OHPVS42 Sunshield

OHPVH1 Heater 110/230VAC

OHPVH2 Heater 12VDC/24VAC

OHPVPS1 Wide range power supply 100-240VAC/12VDC, 1A

OHPVPS2 Power supply 230VAC/24VAC, 400mA

OHPVV1 Heater fan assistant, continuous duty, 12VDC

OHPVV2 Heater fan assistant, continuous duty, 24VAC

OHPVV3 Heater fan assistant continuous duty 230VAC, with wide range power supply 100-240VAC/12VDC,1A

OHPVTA1 Alarm tamper-switch on board and tamper-proof screws and allen-key

OHPVCF1 Blower kit 12VDC with thermostat and air-filter

OHPVCF2 Blower kit 24VAC with thermostat and air-filter

OHPVCF3 Blower kit 230VAC with thermostat and air-filter, complete with wide range power supply

RELATED PRODUCTS:

Mounts:

WBJ Wall mount with joint for VERSO with cable glands

WFC Column mount with joint for VERSO with cable glands

WCM3 Ceiling mount with joint for VERSO with cable glands

WCM5 Ceiling mount with joint for VERSO with cable glands (J shape)

WBOV Wall feed-through bracket

WBOV3 WBOV mount, counterplate and junction-box with cable management bracket

WCM4 Ceiling feed-through bracket (J shape)

P&T:

PTH300 series Pan&Tilt, 50/60 Hz for VERSO with cable glands

PTH900 series Pan&Tilt, 50/60 Hz for VERSO with cable glands

SPARE PARTS CODES LIST:

OHPVCSVET Complete upper body



Unit Weight:

HPV42K1: 1,5 kg (3.3 lbs)

Package Weight:

HPV42K1: 1,75 kg (3.85 lbs)

Package Dimensions:

16,5x15,5x49 cm (6.5x6.1x19.3 in)

Master Carton:

10 pcs

2

VIDEOTECH ITALY - E-mail: info@videotec.com

VIDEOTECH U.S.A. - E-mail: usasales@videotec.com

VIDEOTECH FRANCE - E-mail: videotec.yr@wanadoo.fr

VIDEOTECH HONG KONG - E-mail: info@videotec.com.hk